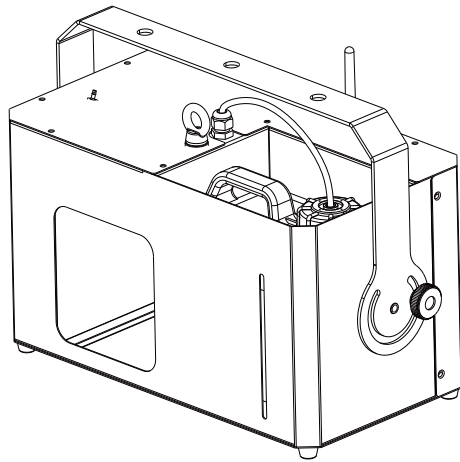




[PRO STAGE EFFECTS]



DJ-700 USER MANUAL
HAZE MACHINE

◆ Foreword

Thank you very much for choosing DJPOWER DJ-700 Haze Machine. Prior to use, we suggest that you carefully read all of the instructions. By following the suggestions found in this user manual, you can look forward to the reliable and satisfactory performance of your DJPOWER HAZE MACHINE for years to come.

◆ Introduction

DJ-700 is a water based DMX haze machine. Small but powerful, the even and thin haze effects can meet the demand of high quality haze. On-board manual control, wireless remote control and DMX control make the haze machine very easy and convenient to use. When the 3liter fluid tank is full-load, it can run for 11 hours at the maximum output. The compact size and light weight make it ideal for DJs, nightclubs, bars, and events.

◆ Features

- Even and thin haze effect to enhance any light show
- Built-in volume and fan speed knobs offer smooth, stand-alone operation
- Advanced No-Fluid protection
- On-board knobs to adjust haze and wind output.
- Easily set DMX address using built-in digital display

◆ Safety operation

- Use grounded electrical outlet. Prior to use, make sure that unit is installed at the rated voltage.
- Turn off or unplug when not using it or before filling its tank
- This machine is not water-proof. Please keep it away from moisture and water. If moisture, water, or fluid gets inside the housing, stop using it.
- No user serviceable and modifiable parts inside. Do not disassemble the housing and do any modification, otherwise it might cause damage to the unit or danger of burning. Please refer to your dealer or other qualified Service personnel in case there are any problems.
- For adult use only. Fixture must be installed out of the reach of children. Never leave the unit running unattended. Keep it away from fire, combustible and flammable materials.
- Position the machine in well-ventilated area. Please leave about 20-50cm spaces surrounding the unit.
- Please do not use the fixture under the temperature higher than 50°C .
- Never add flammable liquids of any kind(oil, gas, perfume)to the fog liquid.
- If something wrong happen while using, please stop the fixture immediately, cut off the power, and check the fog fluid amount, fuse, power cable and power

plug. If problem could not be resolved, please contact with your dealer.

- Never drink liquid. If it is ingested, call a doctor immediately for any discomfort. If liquid comes in contact with skin or eyes, rinse thoroughly with water.

◆ **Unpackaging and inspection**

Immediately upon receiving the machine, carefully unpack the carton, check all items to ensure that all parts are complete and in good condition. If any parts appear damaged or mishandled by shipping, please contact with the shipper immediately and do not power on the machine.

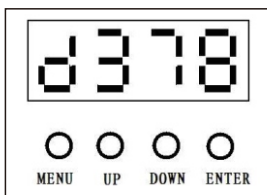
◆ **What is included:**

1. 1 x DJ-700 Haze Machine
2. 1 x W-4 Wireless Remote Controller
3. 1 x Power Cord
4. 1 x User Manual

◆ **Function instructions**

W-4 wireless remote control, manual control, and DMX control. DMX control is prior to wireless remote control. Unit can continue working after heating up.

◆ **Button instructions**



Picture 1

MENU button: To navigate the root menus. There are four root menus in total.

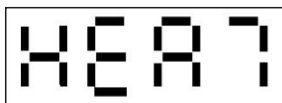
UP : To increase value for sub-menus.

DOWN: To decrease value for sub-menus.

Enter: Confirm or exit

◆ **Digital display**

1. Heat page



Picture 2

As shown in picture 2, machine is heating . After finishing heating, haze output menu will show as default.

2. Different menus are changed by pressing "MENU" button.

a. Haze output Menu



Picture 3

After finishing heating, the haze output can be adjusted by the knob on the rear panel. And the display shows the haze output, 0 stands for OFF, 100 stands for the max.

Note: UP and DOWN button are not able to adjust output here, only through the knob.

b. Fan speed menu



Picture 4

The fan speed can be adjusted by the knob on the rear panel. And the display shows the wind output, 0 stands for OFF, 100 stands for the max.

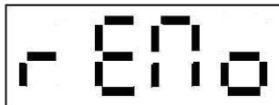
Note: UP and DOWN button are not able to adjust output here, only through the knob.

C. DMX address setting Menu



Picture 5

d. Remote controller Menu



Picture 6

3. Submenu instructions under root menu.

a. DMX address



Picture 7

As shown in picture 7, DMX address can be changed through “UP” and “DOWN” button.

b. Remote control page



Picture 8

Under the wireless remote control menu, press ENTER button to enter the page, as shown in picture 8.

Press UP to set ON to activate the wireless remote function.

Press DOWN to set OFF, to turn off the wireless remote function.

After setting, press ENTER button again to exit.

◆ Wireless remote control function

- Transmitter

Use battery: DC 12V

Working distance: 30meters (the distance can be influenced by signal interference)

- Receiver:

The receiver was in-built the machine.



◆ Wireless controller (W-4) function and setting:

1. All the machine can receive the signal from registered receivers.
2. Maximum 5 remote controllers can be remembered and stored by one machine.
3. W-4 can be used directly to control the machine. Press “ON”, start working; Press “OFF”, stop working.

◆ How to register the wireless remote controller

After the machine is power on, user can press ON button in the remote control to match it with the machine within 15 seconds. When the digital display twinkles twice, that means the remote is registered successfully. If more than one remotes(5 remotes at most) to be matched with one machine, please press ON one by one. Make sure they are being matched within 15 seconds, otherwise the machine would exit the registering mode automatically.

If no new remote is to be matched with the machine after power on, the machine will remember the last one.

If new remotes are matched the machine after power on, the machine will only

recognize the new ones , all the previous setting will be void.

◆ **DMX Function**

There are two DMX channels, as following:.

Channel 1: Fan output: 0~10 Off; 11~255 increase

Channel 2: Haze output:0~10 Off; 11~255 increase

When the unit is connected to DMX console, digital display will show the DMX address value. In such case, the address can be changed through UP and DOWN button.

◆ **Fluid Sensor Protection Function**

The machine can detect whether there is fluid in the tube or not intelligently. Hence in case there is no fluid, it will stop working to protect the pump from being damaged.

1.1 Activate the No-fluid protection

When the haze output is more than 50%, and there is no fluid in the tube, the machine will enter into the No-fluid protection within 5 minutes. At this moment, the pump will stop working and the digital display will keep flashing.

1.2 Exit the No-fluid protection

In case the No-fluid protection is being activated, after refill the fluid tank, there are 2 ways to exit the protection.

A.Adjust the haze output knob on the rear panel from 0 to 100, at this moment, the machine will start pump fog fluid, and can exit the no-fluid projection within 2 minutes.

B.Through DMX control to adjust the haze output from OFF to the maximum, at this moment, the machine will start pump fog fluid, and can exit the no-fluid projection within 2 minutes.

◆ **Service and Maintenance**

1. Please use DJPOWER fog fluid. It will prolong the lifetime of machines. To avoid danger, it is not allowed to take machine apart, neither to refit the machine.
2. Excessive dust, fluid residue and dirt will degrade performance and cause overheating. Remove dust from air vents with vacuum or a soft brush. The housing could be cleaned by the damp cloth.
3. Before storing, run distilled water through the heating system to help avoid heater block.
4. It is recommended to run the machine on a monthly basis in order to achieve best performance.
5. All fog machine will be blocked because of the inferior liquid or frequent use.

Periodic maintenance is necessary for long term use. After 40 hours continuous working, please spray 10-15 times with the detergent composed of 35% vinegar and 65% distilled water.

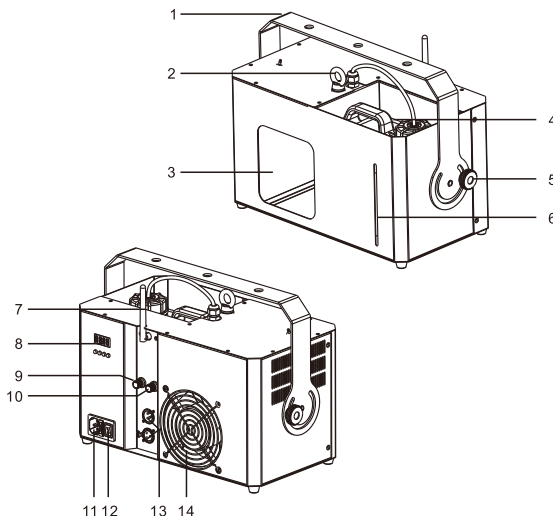
6. Please properly operate the machine in comply with user manual.

◆ **Technical Parameter**

Input Voltage:	AC 220 - 240V, 50/60 Hz
Fuse:	F7 A/250 V
Total Power Consumption:	1,200 W
Heat Up Time:	3 min
Max Output Volume:	4,000 cuft/min
Fluid Consumption Rate:	250 min/L
Wireless Control:	W-4
DMX-512:	√
Fluid Tank Capacity:	3 L
Net Weight:	6 kg
Gross Weight:	7 kg
Machine Dimensions:	395/200/277 mm
Packing Dimensions:	460/315/315 mm
DMX Channel:	2
Consumables:	PRO-C or PRO-J

◆ **Product Overview**

1. Hanging bracket
2. Safety ring
3. Nozzle
4. Container
5. Knob
6. Fluid level indicator
7. Antenna
8. Digital display
9. Fan adjustment
10. Haze adjustment
11. Power socket
12. Power switch
13. 3-pin DMX socket
14. Fan



◆ Fog machine fluid blowout and heater blocking phenomenon analysis

Please use the original consumables, protect your health and life of machine

A.Fluid injection trouble: Refers to the fog fluid atomizing in the heater pipe of the machine is not good, heater temperature cannot be timely and effective transmit to the fog fluid, fog fluid cannot all atomization and lead to fluid injection.

First reason: Using the low quality or counterfeit fog fluid, low quality fog fluid have more impurities, easy to adhere to the pipe wall and hindered temperature transmission result in incomplete atomization caused fluid injection.

Second reason: using an incorrect fog fluid. Different fog fluid have different required atomization temperature. If you use the wrong fog fluid result in fluid cannot fully atomization caused fluid injection.(fig 1)

B.Heater blocking trouble : poor atomization fluid injection is the early signs of heater block. Using poor quality fog fluid or not timely maintenance cleaning the fog machine for a long time. Inevitable will appear the terminal symptom of heater blocking.

Reason: heater blocked is because used inferior fog fluid or not maintenance for a long time. Have nothing to do with the quality of machine. Like a car with poor quality gasoline produce poor fluid circuit failure or long-time no maintenance the car will inevitably appear bigger problems. (fig 2)

C.Solutions to these problems: fog machine heating pipes used for a long time and then the pipe wall will easily produce sediments (The more inferior fog fluid the more impurities thus lead to fluid injection or blocked). All fog machines need regular maintenance (fog machine maintenance cycle for 1 to 2 months/time). Specific maintenance method: after heating the 35% white vinegar plus 65% distilled water and then spray 10 to 15 times

Conclusion: As long as the fog machine with fluid injection or heater blocking after using a period of time. It was caused by fog fluid quality or lack of maintenance, has nothing to do with the quality of the machine. Please use the original high quality fog fluid and timely maintain it, then it can be used for a long time.

Pipeline has covered by dirt, insufficient heat transfer result in water-spraying.

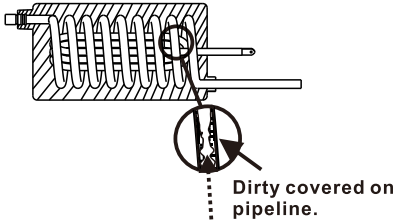


Fig 1

Pipeline has covered by dirt, that results in blocked heater.

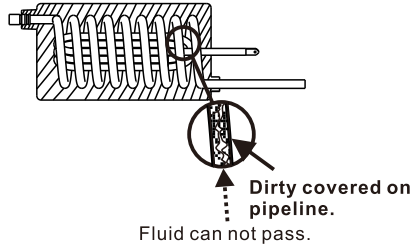


Fig 2

